

Product Selection

Table 45-42. Main Catalog Numbering System

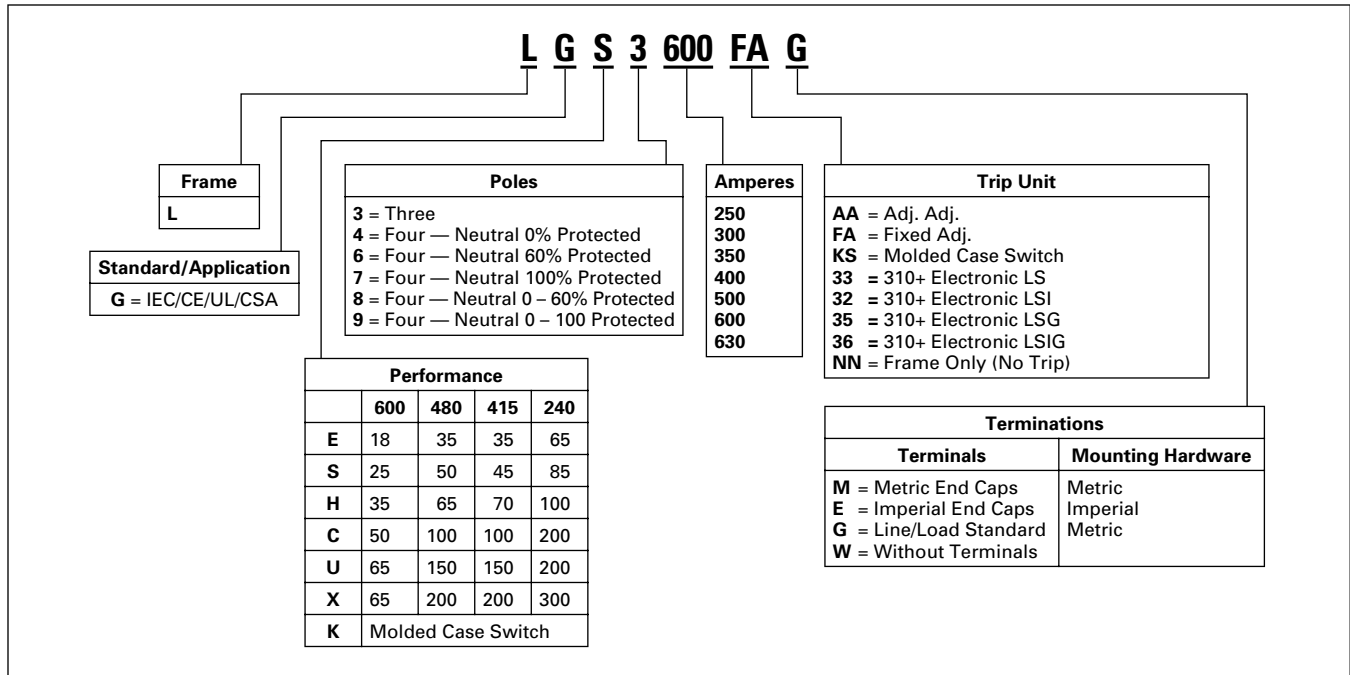
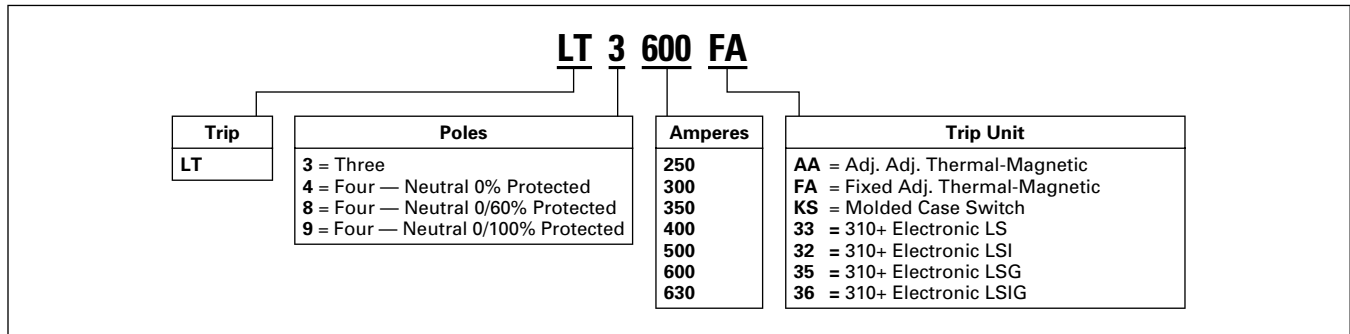


Table 45-43. Trip Unit Catalog Numbering System



Frame Size LG, 630 Amperes (600 Amperes UL, CSA)

LG-Frame, 630 Amperes

Table 45-44. Complete Breaker (Includes Frame, Trip Unit, Standard Terminals and Mounting Hardware) ①

Ampere Rating	3-Pole ②		4-Pole (0%) ③		3-Pole ②		4-Pole (0%) ③		
	Fixed Thermal Adj. Magnetic	Adj. Thermal Adj. Magnetic ④⑤	Fixed Thermal Adj. Magnetic	Adj. Thermal Adj. Magnetic ④⑤	Fixed Thermal Adj. Magnetic	Adj. Thermal Adj. Magnetic ④⑤	Fixed Thermal Adj. Magnetic	Adj. Thermal Adj. Magnetic ④⑤	
IC Rating: 35 kAIC at 415 and 480 Vac					IC Rating: 50 kAIC at 415 and 480 Vac				
250	LGE3250FAG	LGE3250AAG	LGE4250FAG	LGE4250AAG	LGS3250FAG	LGS3250AAG	LGS4250FAG	LGS4250AAG	
300	LGE3300FAG	—	LGE4300FAG	—	LGS3300FAG	—	LGS4350FAG	—	
320	—	LGE3320AAG	—	LGE4320AAG	—	LGS3320AAG	—	LGS4320AAG	
350	LGE3350FAG	—	LGE4350FAG	—	LGS3350FAG	—	LGS4350FAG	—	
400	LGE3400FAG	LGE3400AAG	LGE4400FAG	LGE4400AAG	LGS3400FAG	LGS3400AAG	LGS4400FAG	LGS4400AAG	
500	LGE3500FAG	LGE3500AAG	LGE4500FAG	LGE4500AAG	LGS3500FAG	LGS3500AAG	LGS4500FAG	LGS4500AAG	
600	LGE3600FAG	—	LGE4600FAG	—	LGS3600FAG	—	LGS4600FAG	—	
630 ④	—	LGE3630AAG	—	LGE4630AAG	—	LGS3630AAG	—	LGS4630AAG	
IC Rating: 70 kAIC at 415 Vac, 65 kAIC at 480 Vac					IC Rating: 100 kAIC at 415 and 480 Vac				
250	LGH3250FAG	LGH3250AAG	LGH4250FAG	LGH4250AAG	LGC3250FAG	LGC3250AAG	LGC4250FAG	LGC4250AAG	
300	LGH3300FAG	—	LGH4300FAG	—	LGC3300FAG	—	LGC4300FAG	—	
320	—	LGH3320AAG	—	LGH4320AAG	—	LGC3320AAG	—	LGC4320AAG	
350	LGH3350FAG	—	LGH4350FAG	—	LGC3350FAG	—	LGC4350FAG	—	
400	LGH3400FAG	LGH3400AAG	LGH4400FAG	LGH4400AAG	LGC3400FAG	LGC3400AAG	LGC4400FAG	LGC4400AAG	
500	LGH3500FAG	LGH3500AAG	LGH4500FAG	LGH4500AAG	LGC3500FAG	LGC3500AAG	LGC4500FAG	LGC4500AAG	
600	LGH3600FAG	—	LGH4600FAG	—	LGC3600FAG	—	LGC4600FAG	—	
630 ④	—	LGH3630AAG	—	LGH4630AAG	—	LGC3630AAG	—	LGC4630AAG	
IC Rating: 150 kAIC at 415 and 480 Vac					IC Rating: 200 kAIC at 415 and 480 Vac				
250	LGU3250FAG	LGU3250AAG	LGU4250FAG	LGU4250AAG	LGX3250FAG	LGX3250AAG	LGX4250FAG	LGX4250AAG	
300	LGU3300FAG	—	LGU4300FAG	—	LGX3300FAG	—	LGX4300FAG	—	
320	—	LGU3320AAG	—	LGU4320AAG	—	LGX3320AAG	—	LGX4320AAG	
350	LGU3350FAG	—	LGU4350FAG	—	LGX3350FAG	—	LGX4350FAG	—	
400	LGU3400FAG	LGU3400AAG	LGU4400FAG	LGU4400AAG	LGX3400FAG	LGX3400AAG	LGX4400FAG	LGX4400AAG	
500	LGU3500FAG	LGU3500AAG	LGU4500FAG	LGU4500AAG	LGX3500FAG	LGX3500AAG	LGX4500FAG	LGX4500AAG	
600	LGU3600FAG	—	LGU4600FAG	—	LGX3600FAG	—	LGX4600FAG	—	
630 ④	—	LGU3630AAG	—	LGU4630AAG	—	LGX3630AAG	—	LGX4630AAG	

- ① Replace suffix "G" with "W" for no line and load terminals.
- ② For 2-pole applications, use two outer poles.
- ③ Neutral protection is indicated by the fourth character: 4 = 0%, 7 = 100%, 8 = adjustable 0 – 60% and 9 = 0 – 100%. Neutral is on LH side.
- ④ 320/630 amperes is not a UL or CSA listed rating. 600 amperes is the maximum UL and CSA rating for the LG.
- ⑤ Adjustable thermal units are typically used in IEC markets and are not UL or CSA listed.

Note: Please contact Eaton for pricing.

Table 45-45. Thermal-Magnetic Trip Unit

Ampere Rating	3-Pole ⑥			4-Pole (0%) ⑦				
	Fixed Thermal/ Adj. Magnetic	Price U.S. \$	Adj. Thermal/ Adj. Magnetic ⑧	Price U.S. \$	Fixed Thermal/ Adj. Magnetic	Price U.S. \$	Adj. Thermal/ Adj. Magnetic ⑧	Price U.S. \$
250	LT3250FA		LT3250AA		LT4250FA		LT4250AA	
300	LT3300FA		—		LT4300FA		—	
320	—		LT3320AA		—		LT4320AA	
350	LT3350FA		—		LT4350FA		—	
400	LT3400FA		LT3400AA		LT4400FA		LT4400AA	
500	LT3500FA		LT3500AA		LT4500FA		LT4500AA	
600	LT3600FA		—		LT4600FA		—	
630	—		LT3630AA		—		LT4630AA	

- ⑥ For 2-pole applications, use two outer poles.
- ⑦ Neutral protection is indicated by the third character: 4 = 0%, 7 = 100%, 8 = adjustable 0 – 60% and 9 = 0 – 100%
- ⑧ Adjustable thermal, adjustable magnetic trip units are typically used in IEC markets and are not UL or CSA listed.

Discount Symbol **CB-2**

Table 45-46. Molded Case Switches

Ampere Rating	Number of Poles	Catalog Number	Price U.S. \$
400	3 ① 4	LGK3400KSG LGK4400KSG	
630 ②	3 ① 4	LGK3630KSG LGK4630KSG	

① For 2-pole applications, use two outer poles.

② 630 amperes is not a UL or CSA listed rating. 600 amperes is the maximum UL and CSA rating for the LG.

Note: Molded case switches will trip above 6300 amperes.

Table 45-47. Breaker Frame Only

Ampere Rating ③	IC Rating at 415/480 V	Catalog Number			
		3-Pole ④	Price U.S. \$	4-Pole (0%)	Price U.S. \$
630	35/35	LGE3630NN		LGE4630NN	
630	50/50	LGS3630NN		LGS4630NN	
630	70/65	LGH3630NN		LGH4630NN	
630	100/100	LGC3630NN		LGC4630NN	
630	150/150	LGU3630NN		LGU4630NN	
630	200/200	LGX3630NN		LGX4630NN	

③ 630 amperes is not a UL or CSA listed rating. 600 amperes is the maximum UL and CSA rating for the LG.

④ For 2-pole applications, use two outer poles.

Table 45-48. Electronic Trip Units — Digitrip 310+

Ampere Rating	LS	Price U.S. \$	LSI	Price U.S. \$	LSG	Price U.S. \$	LSIG	Price U.S. \$	Neutral CT for LSG & LSIG ⑤	Price U.S. \$
3-Pole										
250	LT325033		LT325032		LT325035		LT325036		LGFACT250	
400	LT340033		LT340032		LT340035		LT340036		LGFACT400	
600	LT360033		LT360032		LT360035		LT360036		LGFACT630	
630 ⑥	LT363033		LT363032		LT363035		LT363036		LGFACT630	
4-Pole ⑦										
250	LT425033		LT425032		LT425035		LT425036		LGFACT250	
400	LT440033		LT440032		LT440035		LT440036		LGFACT400	
600	LT460033		LT460032		LT460035		LT460036		LGFACT630	
630 ⑥	LT463033		LT463032		LT463035		LT463036		LGFACT630	

⑤ Required for 4-wire systems if neutral protection is desired.

⑥ 630 amperes is not a UL or CSA listed rating. 600 amperes is the maximum UL and CSA listed rating for the LG.

⑦ Neutral protection: 4= 0%, 6 = 60%, 7 = 100%. Electronic trip unit neutral protection is not adjustable.

Note: Long time pickup — no rating plug needed.

630 Ampere Settings — 630, 600, 500, 400, 350, 315, 300, 250 (315, 630 are IEC ratings only).

600 Ampere Settings — 600, 500, 450, 400, 350, 315, 300, 250 (315 is IEC rating only).

400 Ampere Settings — 400, 350, 315, 300, 250, 225, 200, 160 (315 is IEC rating only).

250 Ampere Settings — 250, 225, 200, 175, 160, 150, 125, 100 (160 is IEC rating only).

Note: Adjustable long time delay — 2 – 24 seconds at 6 x I_r.

Adjustable short time delay — Inst., 120, 300 ms.

Table 45-49. Plug-in Test Kit

Voltage Rating	Catalog Number	Price U.S. \$
120 Vac	MTST120V	
230 Vac	MTST230V	

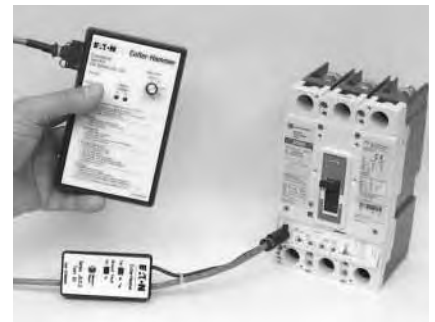
Table 45-50. Breaker Mount Ammeter

Description	Catalog Number	Price U.S. \$
Breaker Mount Ammeter	DIGIVIEW	

Note: Use on electronic trip only.



Digitrip 310+ Test Kit



Digitrip 310+ Test Kit Shown with JG MCCB



LG Digitrip 310+ Electronic Trip Unit



Ammeter

Frame Size LG, 630 Amperes (600 Amperes UL, CSA)

Table 45-51. IC Rating at 415/480 V — Complete LG Breakers with Electronic Trip Unit (Includes Frame, Trip Unit, Standard Terminals and Mounting Hardware) ①

Ampere Rating	LS	Price U.S. \$	LSI	Price U.S. \$	LSG	Price U.S. \$	LSIG	Price U.S. \$	Neutral CT for LSG & LSIG ②	Price U.S. \$
3-Pole ③ — IC Rating: 35 kAIC at 415 and 480 Vac										
250	LGE325033G		LGE325032G		LGE325035G		LGE325036G		LGFACT250	
400	LGE340033G		LGE340032G		LGE340035G		LGE340036G		LGFACT400	
600	LGE360033G		LGE360032G		LGE360035G		LGE360036G		LGFACT630	
630 ④	LGE363033G		LGE363032G		LGE363035G		LGE363036G		LGFACT630	
4-Pole ⑤ — IC Rating: 35 kAIC at 415 and 480 Vac										
250	LGE425033G		LGE425032G		LGE425035G		LGE425036G		LGFACT250	
400	LGE440033G		LGE440032G		LGE440035G		LGE440036G		LGFACT400	
600	LGE460033G		LGE460032G		LGE460035G		LGE460036G		LGFACT630	
630 ④	LGE463033G		LGE463032G		LGE463035G		LGE463036G		LGFACT630	
3-Pole ③ — IC Rating: 50 kAIC at 415 and 480 Vac										
250	LGS325033G		LGS325032G		LGS325035G		LGS325036G		LGFACT250	
400	LGS340033G		LGS340032G		LGS340035G		LGS340036G		LGFACT400	
600	LGS360033G		LGS360032G		LGS360035G		LGS360036G		LGFACT630	
630 ④	LGS363033G		LGS363032G		LGS363035G		LGS363036G		LGFACT630	
4-Pole ⑤ — IC Rating: 50 kAIC at 415 and 480 Vac										
250	LGS425033G		LGS425032G		LGS425035G		LGS425036G		LGFACT250	
400	LGS440033G		LGS440032G		LGS440035G		LGS440036G		LGFACT400	
600	LGS460033G		LGS460032G		LGS460035G		LGS460036G		LGFACT630	
630 ④	LGS463033G		LGS463032G		LGS463035G		LGS463036G		LGFACT630	
3-Pole ③ — IC Rating: 70 kAIC at 415 Vac, 65 kAIC at 480 Vac										
250	LGH325033G		LGH325032G		LGH325035G		LGH325036G		LGFACT250	
400	LGH340033G		LGH340032G		LGH340035G		LGH340036G		LGFACT400	
600	LGH360033G		LGH360032G		LGH360035G		LGH360036G		LGFACT630	
630 ④	LGH363033G		LGH363032G		LGH363035G		LGH363036G		LGFACT630	
4-Pole ⑤ — IC Rating: 70 kAIC at 415 Vac, 65 kAIC at 480 Vac										
250	LGH425033G		LGH425032G		LGH425035G		LGH425036G		LGFACT250	
400	LGH440033G		LGH440032G		LGH440035G		LGH440036G		LGFACT400	
600	LGH460033G		LGH460032G		LGH460035G		LGH460036G		LGFACT630	
630 ④	LGH463033G		LGH463032G		LGH463035G		LGH463036G		LGFACT630	
3-Pole ③ — IC Rating: 100 kAIC at 415 Vac and 480 Vac										
250	LGC325033G		LGC325032G		LGC325035G		LGC325036G		LGFACT250	
400	LGC340033G		LGC340032G		LGC340035G		LGC340036G		LGFACT400	
600	LGC360033G		LGC360032G		LGC360035G		LGC360036G		LGFACT630	
630 ④	LGC363033G		LGC363032G		LGC363035G		LGC363036G		LGFACT630	
4-Pole ⑤ — IC Rating: 100 kAIC at 415 Vac and 480 Vac										
250	LGC425033G		LGC425032G		LGC425035G		LGC425036G		LGFACT250	
400	LGC440033G		LGC440032G		LGC440035G		LGC440036G		LGFACT400	
600	LGC460033G		LGC460032G		LGC460035G		LGC460036G		LGFACT630	
630 ④	LGC463033G		LGC463032G		LGC463035G		LGC463036G		LGFACT630	
3-Pole ③ — IC Rating: 150 kAIC at 415 Vac and 480 Vac										
250	LGU325033G		LGU325032G		LGU325035G		LGU325036G		LGFACT250	
400	LGU340033G		LGU340032G		LGU340035G		LGU340036G		LGFACT400	
600	LGU360033G		LGU360032G		LGU360035G		LGU360036G		LGFACT630	
630 ④	LGU363033G		LGU363032G		LGU363035G		LGU363036G		LGFACT630	
4-Pole ⑤ — IC Rating: 150 kAIC at 415 Vac and 480 Vac										
250	LGU425033G		LGU425032G		LGU425035G		LGU425036G		LGFACT250	
400	LGU440033G		LGU440032G		LGU440035G		LGU440036G		LGFACT400	
600	LGU460033G		LGU460032G		LGU460035G		LGU460036G		LGFACT630	
630 ④	LGU463033G		LGU463032G		LGU463035G		LGU463036G		LGFACT630	
3-Pole ③ — IC Rating: 200 kAIC at 415 Vac and 480 Vac										
250	LGX325033G		LGX325032G		LGX325035G		LGX325036G		LGFACT250	
400	LGX340033G		LGX340032G		LGX340035G		LGX340036G		LGFACT400	
600	LGX360033G		LGX360032G		LGX360035G		LGX360036G		LGFACT630	
630 ④	LGX363033G		LGX363032G		LGX363035G		LGX363036G		LGFACT630	
4-Pole ⑤ — IC Rating: 200 kAIC at 415 Vac and 480 Vac										
250	LGX425033G		LGX425032G		LGX425035G		LGX425036G		LGFACT250	
400	LGX440033G		LGX440032G		LGX440035G		LGX440036G		LGFACT400	
600	LGX460033G		LGX460032G		LGX460035G		LGX460036G		LGFACT630	
630 ④	LGX463033G		LGX463032G		LGX463035G		LGX463036G		LGFACT630	

① Replace suffix "G" with "W" for no line and load terminals.
 ② Required for 4-wire systems if neutral protection is desired.
 ③ For 2-pole applications, use two outer poles.
 ④ 630 amperes is not a UL or CSA listed rating. 600 amperes is the maximum UL and CSA listed rating for the LG.
 ⑤ Neutral protection: 4= 0%, 6 = 60%, 7 = 100%. Electronic trip unit neutral protection is not adjustable.

Line and Load Terminals

Table 45-52. Line and Load Terminals

Maximum Breaker Amperes	Terminal Body Material	Wire Type	AWG Wire Range/ Number of Conductors	Metric Wire Range (mm ²)	Number of Terminals Included	Catalog Number	Price U.S. \$
400	Aluminum	Cu/Al	500 – 750 (1)	240 – 380 (1)	3	3TA631LK ①	
400	Aluminum	Cu/Al	500 – 750 (1)	240 – 380 (1)	4	4TA631LK ①	
400	Copper	Cu	500 – 750 (1)	240 – 380 (1)	3	3T631LK ①	
400	Copper	Cu	500 – 750 (1)	240 – 380 (1)	4	4T631LK ①	
630	Aluminum	Cu/Al	2 – 500 (2)	35 – 240 (2)	3	3TA632LK ①②	
630	Aluminum	Cu/Al	2 – 500 (2)	35 – 240 (2)	4	4TA632LK ①②	
630	Copper	Cu	2 – 500 (2)	35 – 240 (2)	3	3T632LK ①	
630	Copper	Cu	2 – 500 (2)	35 – 240 (2)	4	4T632LK ①	
400	Aluminum	Cu/Al	2 – 500 (1)	35 – 240 (1)	1	TA350LK ②	
400	Copper	Cu	2 – 500 (1)	35 – 240 (1)	1	T350LK	

① Includes LTS3K (3-pole) or LTS4K (4-pole) terminal covers.

② Standard terminal included with complete breaker.

Table 45-53. Terminal Covers

Description	Catalog Number	Price U.S. \$
3-Pole Terminal Cover ③	LTS3K	
4-Pole Terminal Cover ③	LTS4K	

③ Included in TA631L, T631L, TA632L kits listed above.

Table 45-55. Terminal Extensions

Number of Poles	Catalog Number	Price U.S. \$
3	LGTEW3	
4	LGTEW4	

Table 45-56. Terminal Spreaders

Number of Poles	Catalog Number	Price U.S. \$
3	LGTES3	
4	LGTES4	

Table 45-54. End Cap Kits (MIO Metric Nuts)

Number of Poles	Catalog Number	Price U.S. \$
3	L3RTWK	
4	L4RTWK	

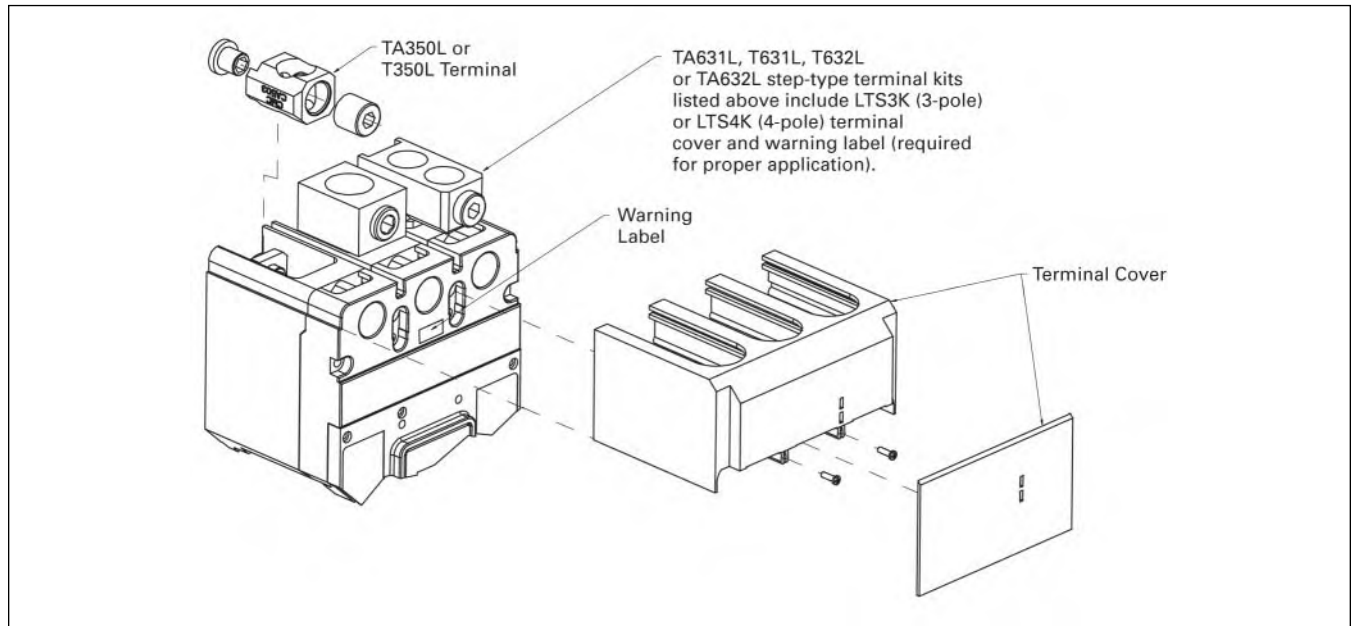


Figure 45-3. Terminals and Terminal Cover for the LG Breaker — Includes LTS3K (3-Pole) or LTS4K (4-Pole) Terminal Covers

Note: Extended terminal covers add 2.13 inches (54.0 mm) to breaker length.